

VICTORY 200L

(Low Voltage Coil)

SPDT Enclosed Relay

Coil: 10-30VAC/DC, 208-277VAC
 Contacts: 10A(r)@277VAC, 28VDC

The V200L Enclosed relay combines an industrial strength relay with an easy to use nipple mount enclosure. The Victory Series provides quick relay mounting without a dedicated field enclosure, making it ideal for retrofit projects. Field-selectable high and low voltage coil inputs provide on-site versatility.

Sleek field enclosure eliminates the need for panel space

- Versatile coil and contact ratings minimize the number of models to choose from
- The nipple mount feature allows the Victory Series to be mounted to any electrical enclosure
- Flexible tinned stranded wire...fits easily in tight spaces and provides secure connections to wire nuts
- UL508 Listed...designed and listed for field installation...makes electrical inspection a snap

APPLICATIONS

- Command contactors
- Control motors
- Isolation
- Device interlocking
- Relay logic
- Sense voltages for alarm conditions

SPECIFICATIONS

| | |
|-----------------------|--|
| Operating Temperature | -34°C to 60°C |
| Operating Humidity | 0-95% non-condensing |
| Expected Relay Life | 10 million cycles min. |
| Relay Status | LED ON=energized |
| Dimensions... (LxWxH) | 2.92" x 1.80" x 1.58"; (H) 1/2" NPT nipple |

| TYPICAL COIL PERFORMANCE | | |
|--------------------------------------|--------------|------|
| Coil Voltage 10-30VAC/DC, 208-277VAC | | |
| Pull In Voltage | AC | DC |
| 10-30V..... | 8 | 9 |
| 208-277V..... | 154 | |
| Drop Out Voltage | | |
| | AC | DC |
| 10-30V..... | 2 | 3 |
| 277V..... | 36 | |
| Voltage | | |
| | Coil Current | |
| | AC | DC |
| 10V..... | 21mA..... | 10mA |
| 12V..... | 25mA..... | 14mA |
| 24V..... | 31mA..... | 16mA |
| 30V..... | 39mA..... | 18mA |
| 208V..... | 19mA | - |
| 277V..... | 25mA | - |

| CONTACT RATINGS | |
|-----------------|---|
| Resistive..... | 10A(r)@277VAC, 28VDC |
| Motor..... | 120VAC, 1/3HP N.O. & 1/6HP N.C. 240VAC, 1/3HP N.O. & 1/6HP N.C. 277VAC, 1/4HP N.O. & 1/8HP N.C. |
| Pilot Duty... | 277VAC, 1.7A 480VA, N.O. |
| Ballast..... | 277VAC, 1.7A 480VA |
| Tungsten.... | 120VAC, TV3 (3A) N.O. & TV2 (2A) N.C. |
| Gold Flash... | Yes |



ORDERING INFORMATION

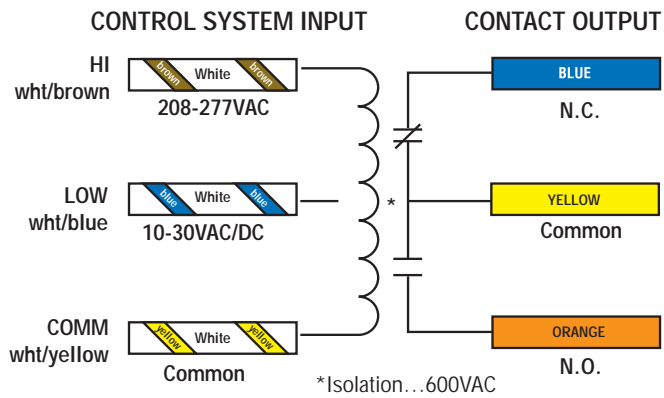
| MODEL | COIL | CONTACT |
|-------|-------------------------|-----------|
| V200L | 10-30VAC/DC, 208-277VAC | SPDT, 10A |

Plenum rated
 per UL 2043

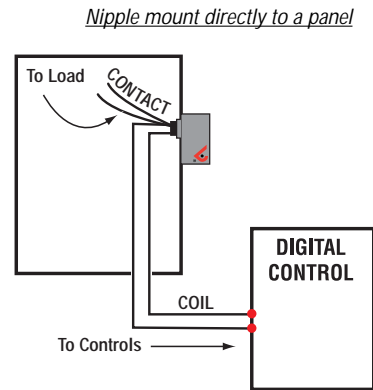


E150462

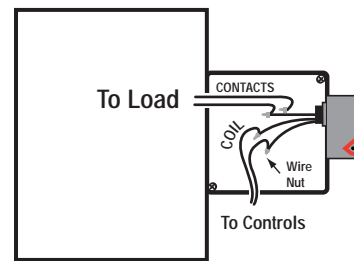
WIRE COLOR CODES



APPLICATIONS/WIRING EXAMPLE



Nipple mount to any 2x or 4x electrical box



DIMENSIONAL DRAWING

